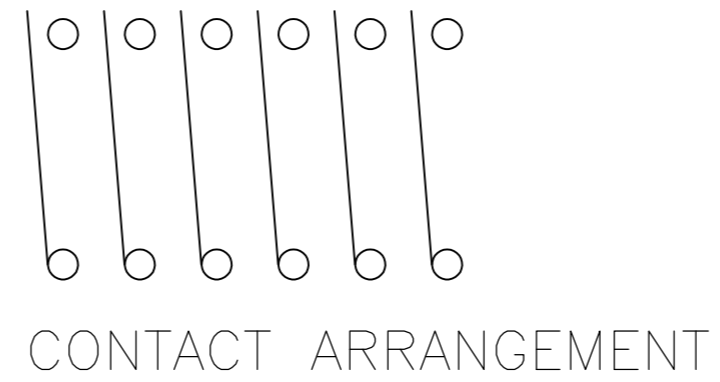
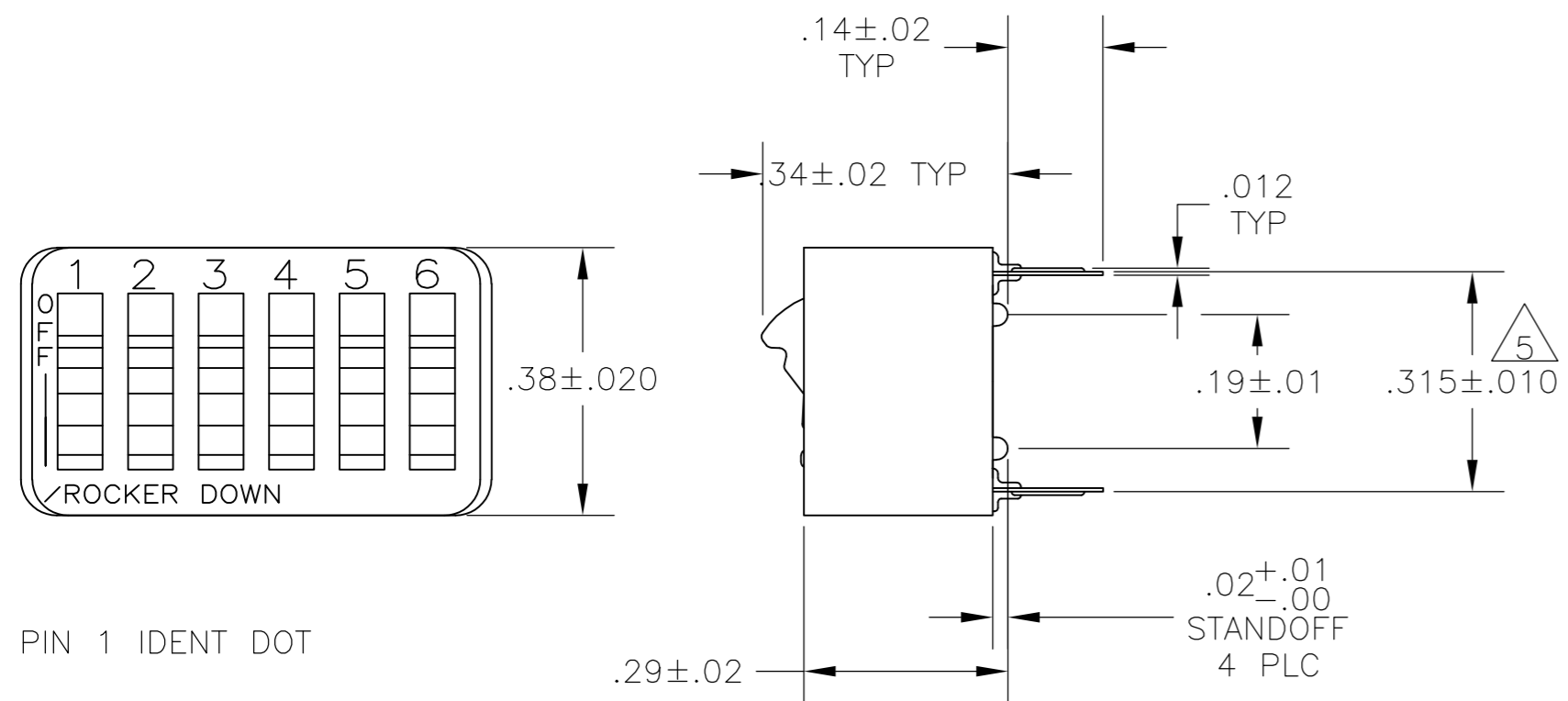


| LOC | DIST | REVISIONS | | | |
|-----|------|---------------------------|---------|-----|------|
| P | LTR | DESCRIPTION | DATE | DWN | APVD |
| AD | 00 | | | | |
| | A | ECO-05-9575 | 27SEP05 | MB | MS |
| | A1 | REVISED PER ECO-10-000444 | 19JAN10 | KK | HMR |



- FOR ADDITIONAL SPECIFICATIONS SEE AMP PRODUCT SPEC 108-7519.
 - SWITCH SHOWN IN OPEN POSITION.
 - ALL CHARACTERS AND ROCKERS ARE WHITE, HOUSING IS BLACK.
 - STAMPING WILL VARY ON 2 AND 3 POSITION SIDES DUE TO SPACE RESTRICTIONS
- △5 .315 DIMENSION APPLIES AT TERMINAL TIPS. TERMINALS ARE .300 +.010 AT MOUNTING SURFACE. -.000
- △6 STRIPPABLE TRANSPARENT SEAL, SEE FIG 1.
7. ALL MATERIALS AND FINISHES SHALL COMPLY WITH EU DIRECTIVE 2002 /95/EC OF 27JAN2003 (ROHS).
- △8 HOUSING AND ROCKERS-POLYESTER
CONTACTS AND SOLDER LEADS-COPPER ALLOY
- △9 CONTACTS-GOLD OVER NICKEL
SOLDER LEADS-TIN OVER NICKEL
- △10 OBSOLETE PARTS: OBSOLETE CIS STREAMLINING PER D.RENAUD/D.SINISI

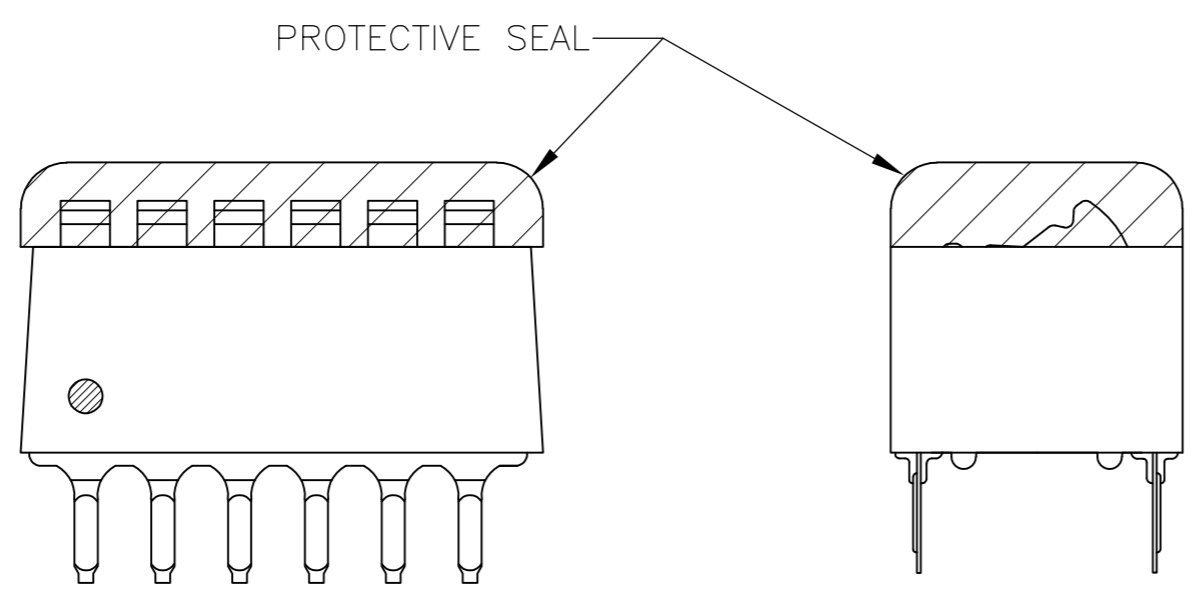
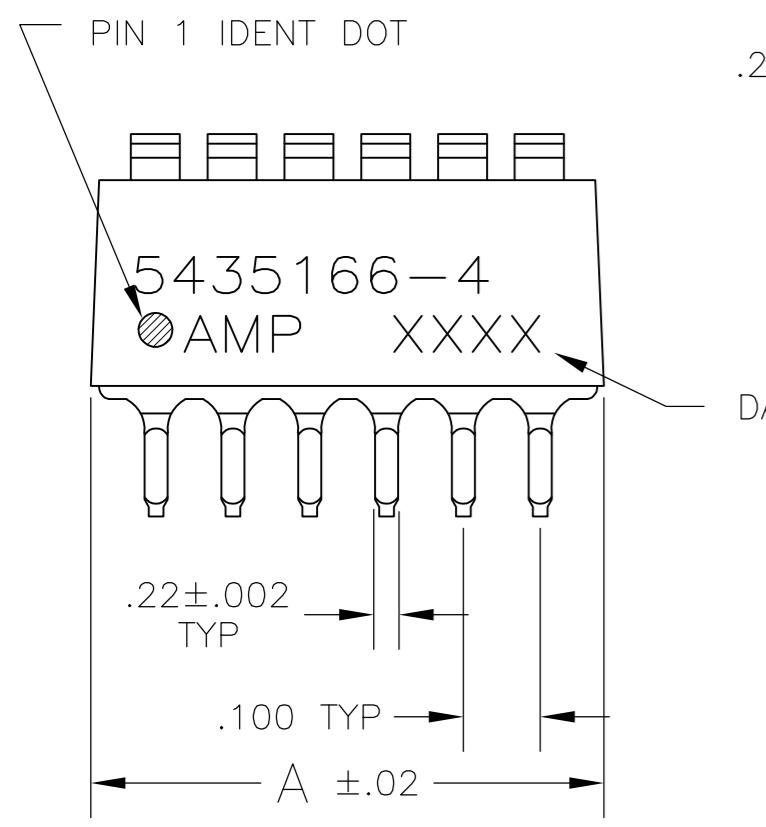


FIG 1

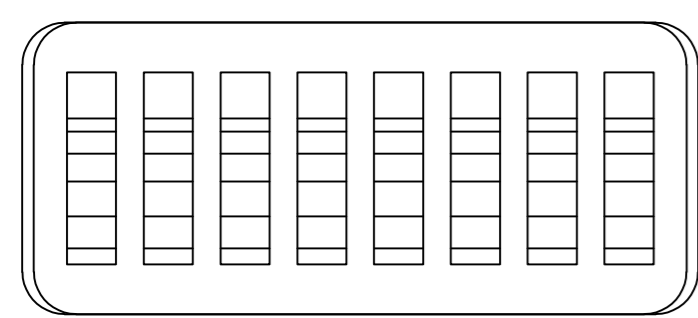


FIG 2

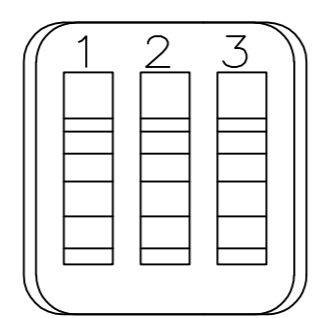


FIG 7

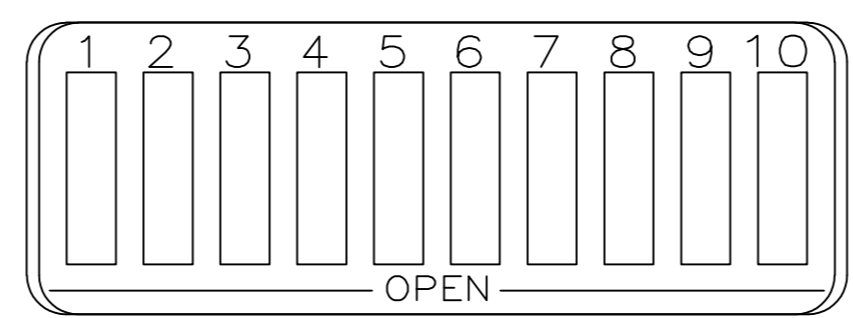


FIG 8

| FIG 8 | △6 | 1.08 | 10 | 7-5435166-4 |
|-------------|-----------------|------|------------|-------------|
| OBSOLETE | △6 | 1.08 | 10 | 5-5435166-5 |
| | | .88 | 8 | 5-5435166-3 |
| | | .78 | 7 | 5-5435166-2 |
| | | .68 | 6 | 5-5435166-1 |
| | | .58 | 5 | 5-5435166-0 |
| OBSOLETE | △6 | .48 | 4 | 4-5435166-9 |
| | | .28 | 2 | 2-5435166-9 |
| | | .88 | 8 | 2-5435166-8 |
| | | 1.08 | 10 | 5435166-7 |
| | | .88 | 8 | 5435166-5 |
| OBSOLETE | △6 | .68 | 6 | 5435166-4 |
| | | .48 | 4 | 5435166-2 |
| | | .78 | 7 | 5435166-1 |
| TOP MARKING | PROTECTIVE SEAL | A | NO OF POSN | PART NO |

| | | | | |
|--|--|--------------------|---|-----------------|
| THIS DRAWING IS A CONTROLLED DOCUMENT. | | DWN BSV 10JAN2005 | Tyco Electronics Corporation Harrisburg, PA 17105-3608 | |
| DIMENSIONS: INCHES | TOLERANCES UNLESS OTHERWISE SPECIFIED: | CHK - | NAME | |
| | 0 PLC ± - | APVD - | SWITCH ASSY, DIP, TYPE C, 7000 SERIES, SPST, STANDARD | |
| | 1 PLC ± - | PRODUCT SPEC - | SIZE A2 | CAGE CODE 00779 |
| | 2 PLC ± - | APPLICATION SPEC - | DRAWING NO C=5435166 | RESTRICTED TO - |
| | 3 PLC ± .005 | WEIGHT - | SCALE 4:1 | SHEET 1 of 1 |
| | 4 PLC ± - | CUSTOMER DRAWING | REV A1 | |
| | ANGLES ± - | | | |
| MATERIAL △8 | FINISH △9 | | | |